



Caliper

S_Cal EVO

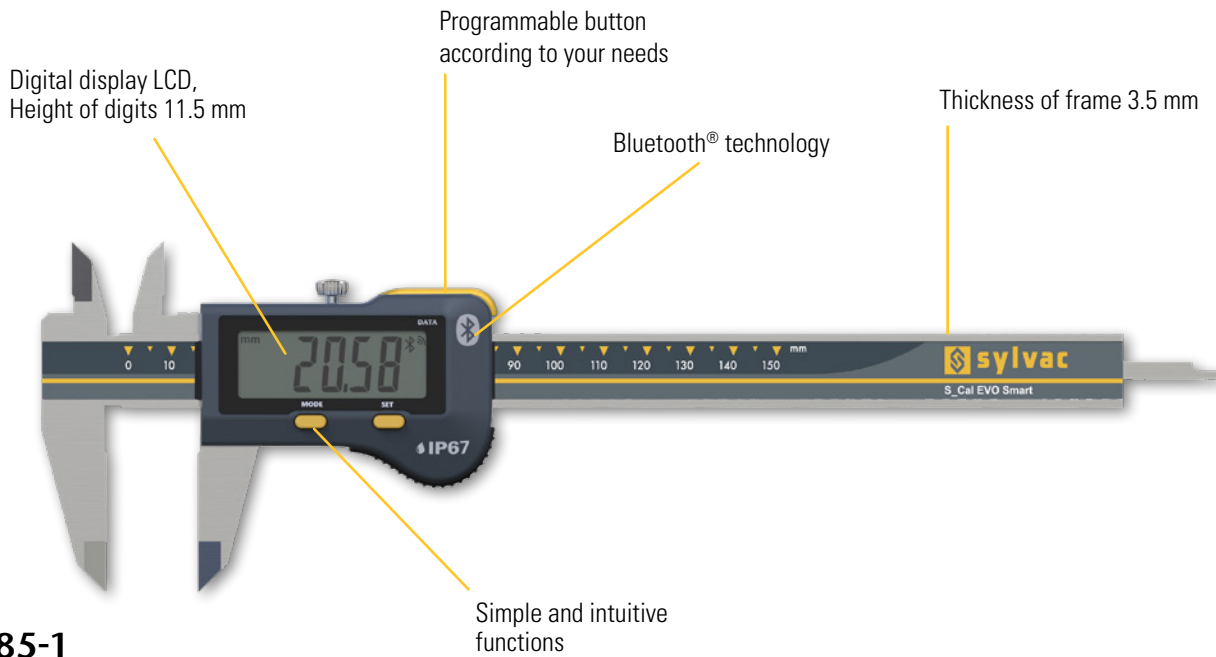
DESCRIPTION

SMART

- High-quality ergonomic caliper with integrated Bluetooth® system
- 3.5 mm thick hardened and ground stainless steel frame
- New extra-large display unit with 11.5 mm high digits
- Convenient push button for sending data that can also be programmed with another function
- Memorising the home position even when the instrument is switched off
- Available in the following executions :
 - Measuring range 150 mm with rectangular depth rod
 - Measuring range 150 mm with cylindrical depth rod
 - Measuring range 200 mm with rectangular depth rod
 - Measuring range 300 mm without depth rod
- Protection class IP67
- Wheel available as an option



C



ISO 13385-1



IP67

Bluetooth® wireless technology and IP67 protection rating!



* SIS description on page 5

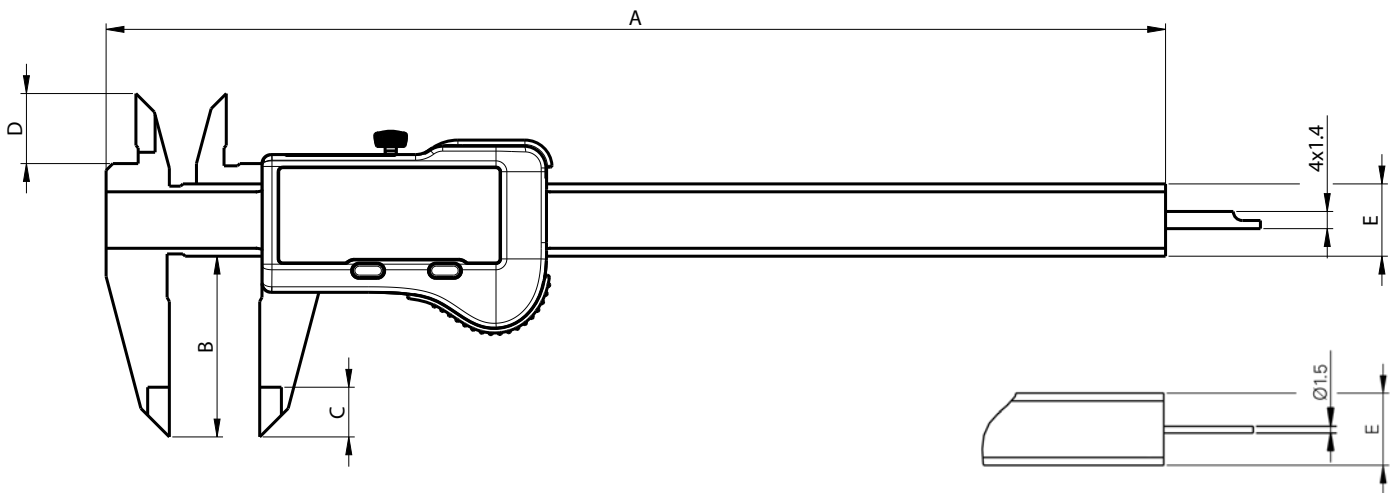


Caliper

S_Cal EVO

DIMENSIONAL DRAWING

SMART



TECHNICAL SPECIFICATIONS

		810-1506	810-1516	810-1526	810-1536
Measuring range	mm	150	150	200	300
Max. Error G - external measurements	µm	20 ¹⁾	20 ¹⁾	30 ¹⁾	30 ¹⁾
Max. Error - internal measurements	µm	20-30 ²⁾	20-30 ²⁾	30 ²⁾	40 ²⁾
A	mm	234.5	234.5	290.5	388
B	mm	40	40	50	64
C	mm	11	11	14	14
D	mm	16	16	19	19
E	mm	16 x 3.5	16 x 3.5	16 x 3.5	16 x 4
Depth rod	mm	▬ 4 x 1.4	Ø 1.5	▬ 4 x 1.4	---
Protection rating according to IEC 60529		IP67			
Output data		Bluetooth® wireless technology*			
Functions		Zero setting, Preset (max 999.99), mm/inch, Hold, Data			
Smart Inductive Sensor		●			

¹⁾ 0-150 mm : 20 µm / ISO13385-1
> 150 mm : 30 µm / ISO13385-1

²⁾ Ø4-25 : 20 µm / ISO13385-1
Ø26-150 : 30 µm / ISO13385-1
>Ø150 : 40 µm / ISO13385-1

* Up to 8 instruments connected per dongle #981-7100